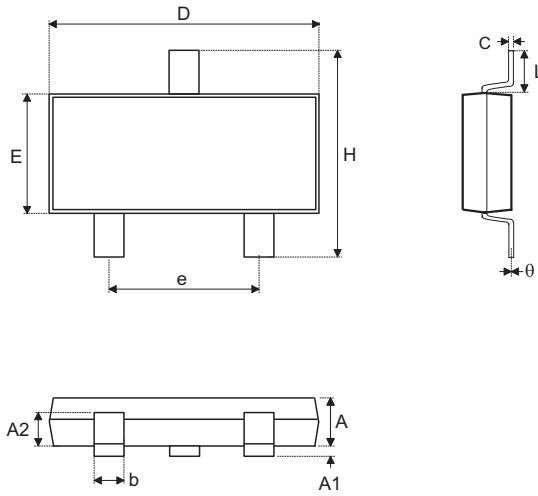


SOT23 Outline Dimensions

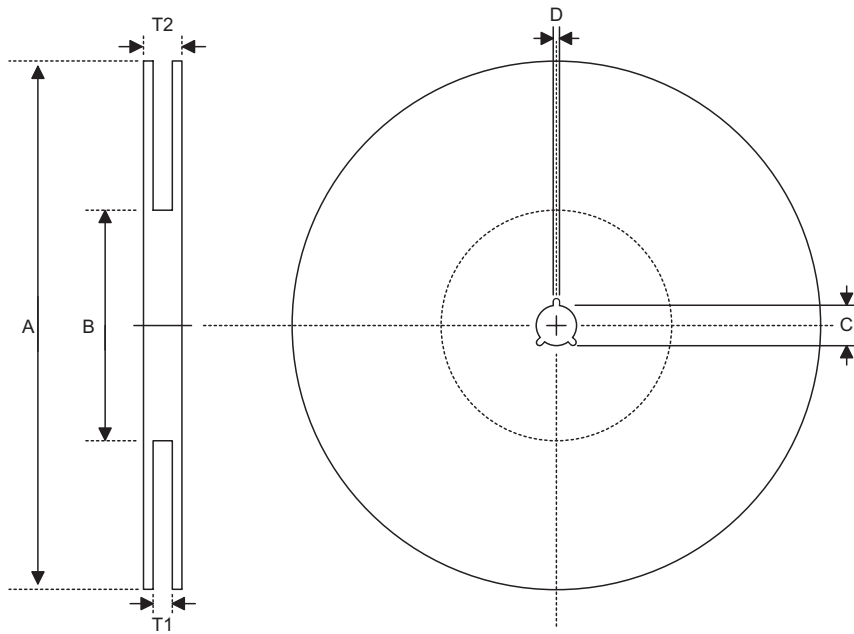
3-pin SOT23 Outline Dimensions



| Symbol | Dimensions in mm | | |
|--------|------------------|------|------|
| | Min. | Nom. | Max. |
| A | 1 | — | 1.3 |
| A1 | — | — | 0.1 |
| A2 | 0.7 | — | 0.9 |
| b | 0.35 | — | 0.5 |
| C | 0.1 | — | 0.25 |
| D | 2.7 | — | 3.1 |
| E | 1.4 | — | 1.8 |
| e | — | 1.9 | — |
| H | 2.6 | — | 3 |
| L | 0.37 | — | — |
| θ | 1° | — | 9° |

Product Tape and Reel Specifications

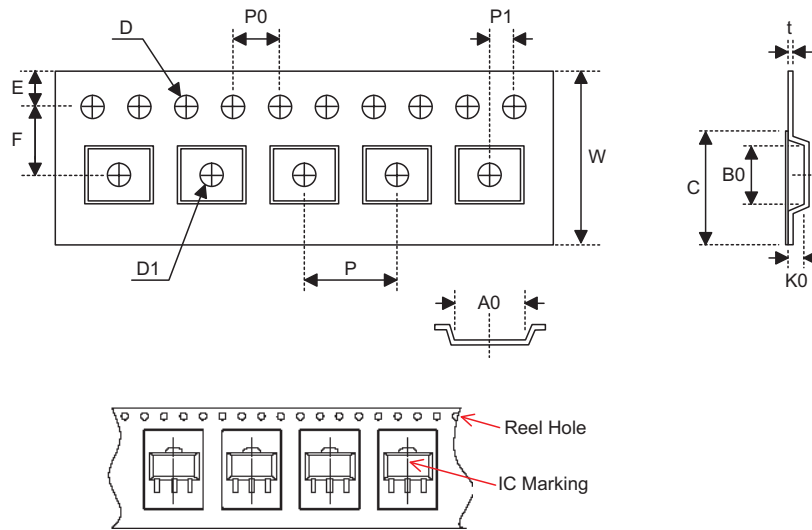
Reel Dimensions



SOT23

| Symbol | Description | Dimensions in mm |
|--------|-----------------------|------------------|
| A | Reel Outer Diameter | 178±1 |
| B | Reel Inner Diameter | 62±1 |
| C | Spindle Hole Diameter | 13±0.2 |
| D | Key Slit Width | 2.5±0.25 |
| T1 | Space Between Flange | 8.4+1.5 -0.0 |
| T2 | Reel Thickness | 11.4+1.5 |

Carrier Tape Dimensions



SOT23

| Symbol | Description | Dimensions in mm |
|--------|--|------------------|
| W | Carrier Tape Width | 8±0.3 |
| P | Cavity Pitch | 4 |
| E | Perforation Position | 1.75 |
| F | Cavity to Perforation (Width Direction) | 3.5±0.05 |
| D | Perforation Diameter | 1.5±0.1 |
| D1 | Cavity Hole Diameter | 1.5±0.1 |
| P0 | Perforation Pitch | 4 |
| P1 | Cavity to Perforation (Length Direction) | 2 |
| A0 | Cavity Length | 3.15 |
| B0 | Cavity Width | 3.2 |
| K0 | Cavity Depth | 1.4 |
| t | Carrier Tape Thickness | 0.2±0.03 |
| C | Cover Tape Width | 5.3 |