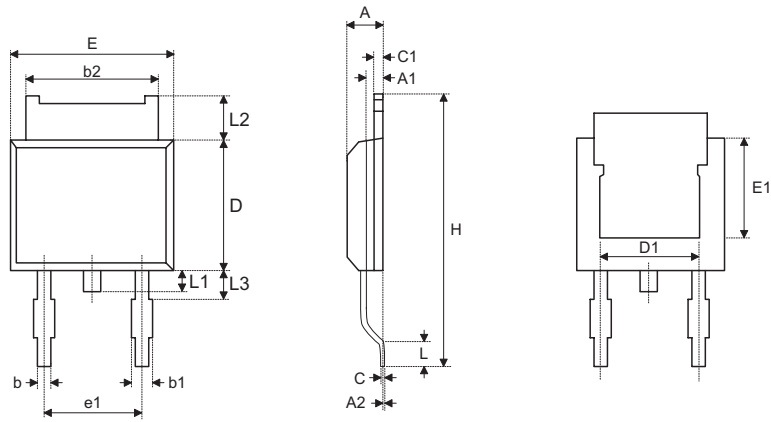


TO252 Outline Dimensions

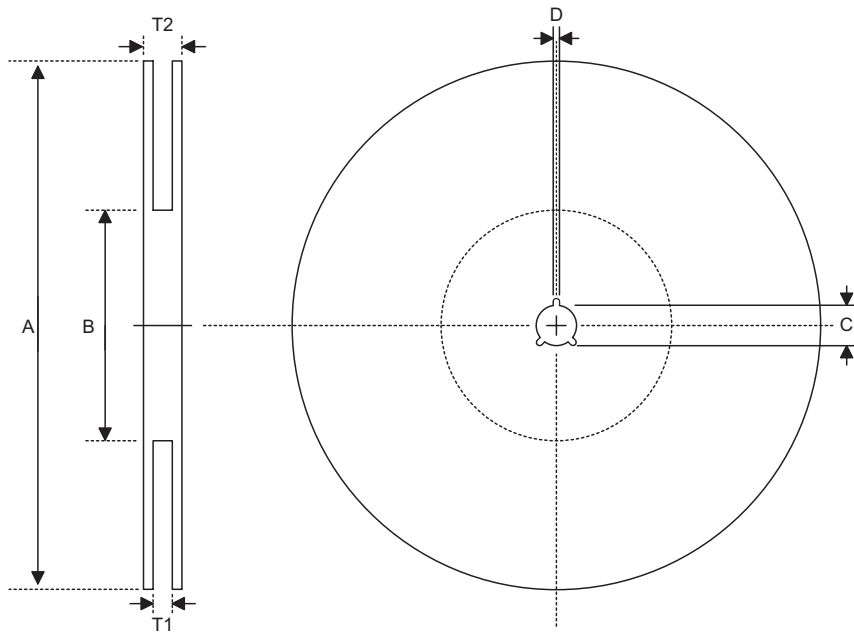
3-pin TO252 Outline Dimensions



Symbol	Dimensions in mil		
	Min.	Nom.	Max.
A	87	—	94
A1	35	—	45
A2	1	—	9
B	25	—	35
b1	30	—	45
b2	206	—	215
C	18	—	23
C1	18	—	23
D	235	—	245
D1	177	—	197
E	255	—	265
E1	165	—	175
e1	175	—	185
H	380	—	410
L	20	—	—
L1	25	—	40
L2	35	—	50
L3	40	—	60

Product Tape and Reel Specifications

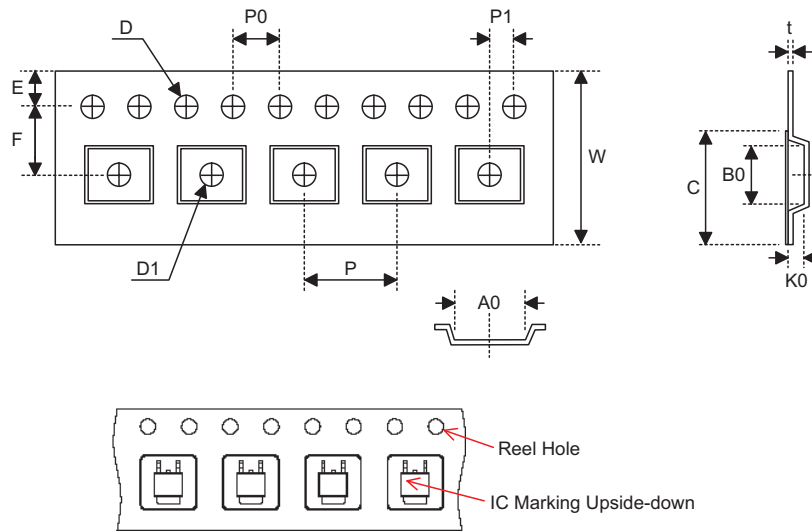
Reel Dimensions



TO252

Symbol	Description	Dimensions in mm
A	Reel Outer Diameter	330±3
B	Reel Inner Diameter	100±2
C	Spindle Hole Diameter	13±0.5
D	Key Slit Width	2±0.5
T1	Space Between Flange	16.4+0.3 -0.2
T2	Reel Thickness	21.4+0.4

Carrier Tape Dimensions



TO252

Symbol	Description	Dimensions in mm
W	Carrier Tape Width	16+0.3 -0.1
P	Cavity Pitch	8±0.1
E	Perforation Position	1.75±0.1
F	Cavity to Perforation (Width Direction)	7.5±0.1
D	Perforation Diameter	1.5±0.1
D1	Cavity Hole Diameter	1.5+0.25
P0	Perforation Pitch	4±0.1
P1	Cavity to Perforation (Length Direction)	2±0.1
A0	Cavity Length	6.8±0.1
B0	Cavity Width	10.4±0.1
K0	Cavity Depth	2.5±0.1
t	Carrier Tape Thickness	0.3±0.05
C	Cover Tape Width	13.3