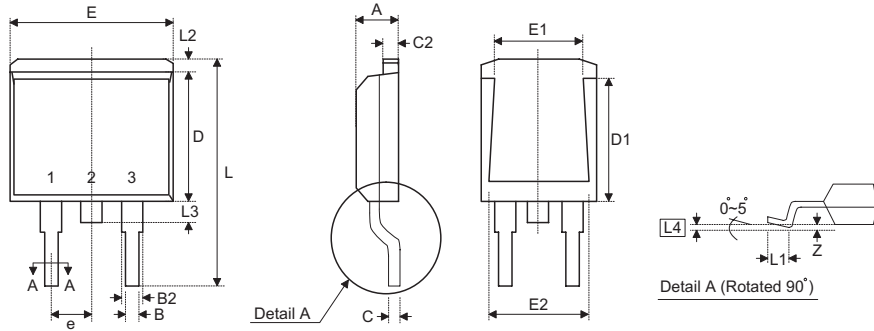


TO263 (DD2-PAK) Outline Dimensions

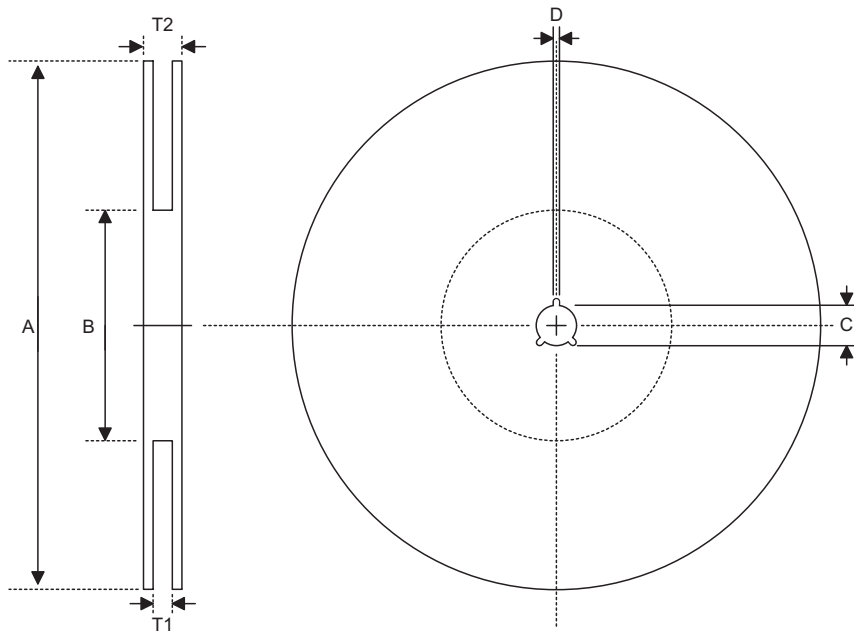
3-pin TO263 Outline Dimensions



Symbol	Dimensions in mil		
	Min.	Nom.	Max.
A	170	—	185
B	28	—	40
B2	50	—	65
C	13	—	20
C2	45	—	55
D	340	—	380
D1	220	—	240
E	395	—	410
E1	310	—	340
E2	355	—	375
e	95	—	105
L	575	—	625
L1	90	—	110
L2	40	—	55
L3	50	—	70
L4	6	—	14

Product Tape and Reel Specifications

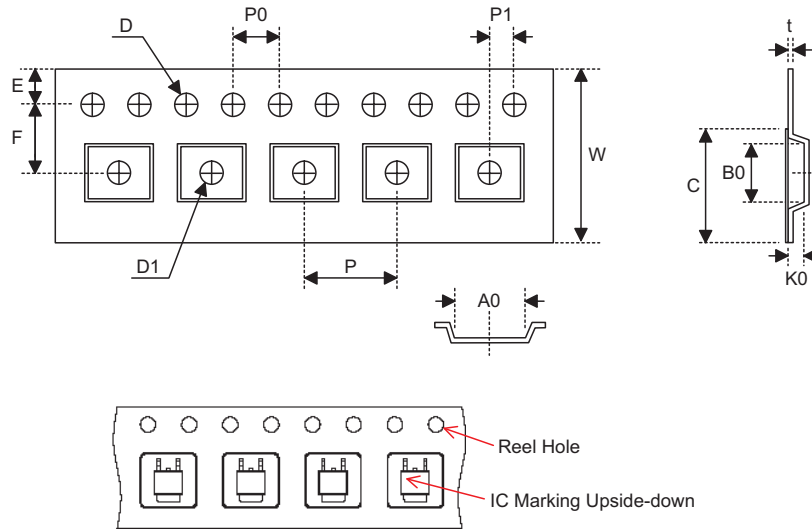
Reel Dimensions



TO263

Symbol	Description	Dimensions in mm
A	Reel Outer Diameter	380±3
B	Reel Inner Diameter	80±2
C	Spindle Hole Diameter	13±0.5
D	Key Slit Width	2±0.5
T1	Space Between Flange	24±0.4
T2	Reel Thickness	28.4±0.4

Carrier Tape Dimensions



TO263

Symbol	Description	Dimensions in mm
W	Carrier Tape Width	24+0.3 -0.1
P	Cavity Pitch	16±0.1
E	Perforation Position	1.75±0.1
F	Cavity to Perforation (Width Direction)	11.5±0.1
D	Perforation Diameter	1.5+0.1
D1	Cavity Hole Diameter	1.5+0.25
P0	Perforation Pitch	4±0.1
P1	Cavity to Perforation (Length Direction)	2±0.1
A0	Cavity Length	10.8±0.1
B0	Cavity Width	16.1±0.1
K0	Cavity Depth	5.2±0.1
t	Carrier Tape Thickness	0.35±0.013
C	Cover Tape Width	21.3