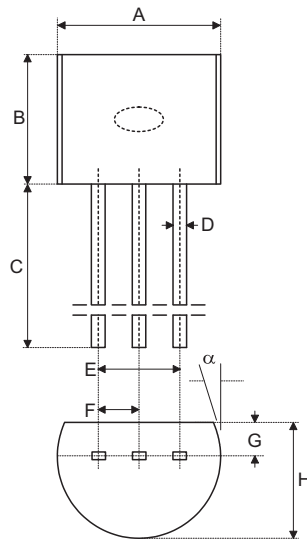


TO92 Outline Dimensions

3-pin TO92 Outline Dimensions

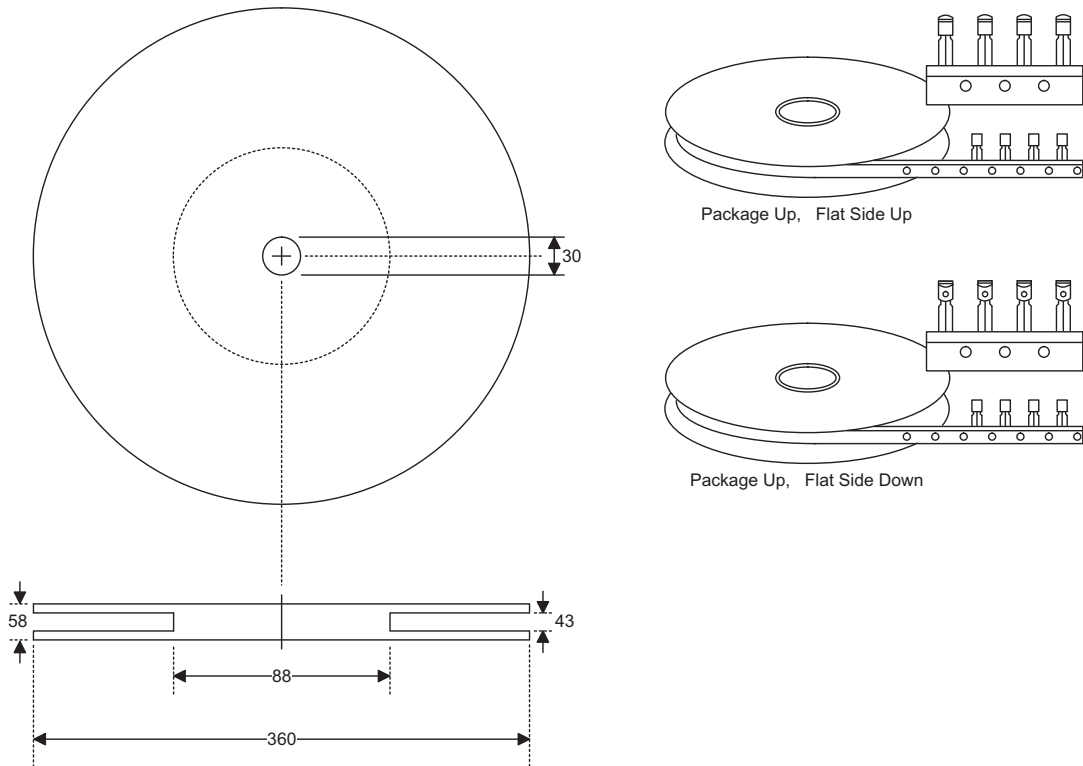


Symbol	Dimensions in inch		
	Min.	Nom.	Max.
A	0.170	—	0.200
B	0.170	—	0.200
C	0.500	—	—
D	0.011	—	0.020
E	0.090	—	0.110
F	0.045	—	0.055
G	0.045	—	0.065
H	0.130	—	0.160
α	0°	—	10°

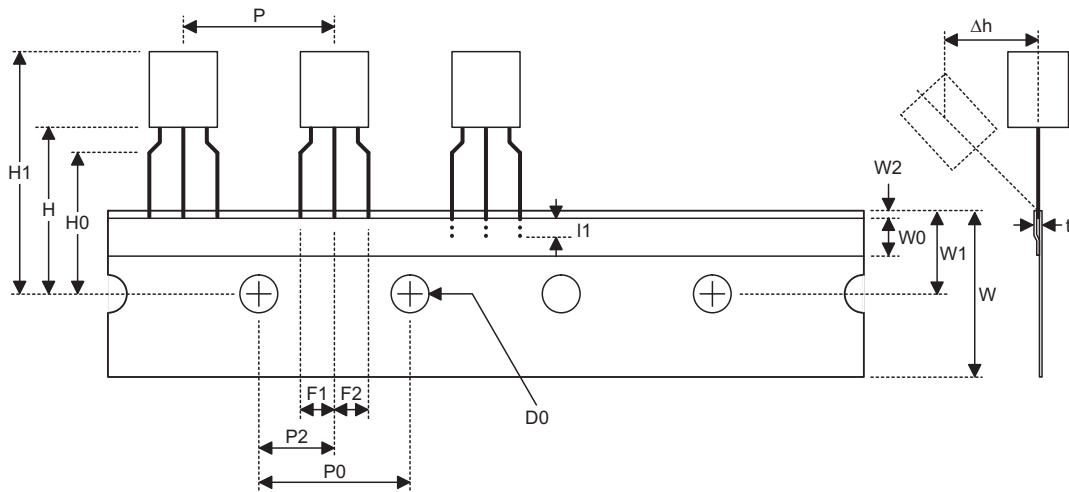
Symbol	Dimensions in mm		
	Min.	Nom.	Max.
A	4.32	—	5.08
B	4.32	—	5.08
C	12.70	—	—
D	0.28	—	0.51
E	2.29	—	2.79
F	1.14	—	1.40
G	1.14	—	1.65
H	3.30	—	4.06
α	0°	—	10°

Product Tape and Reel Specifications

TO92 Reel Dimensions (Unit: mm)



Carrier Tape Dimensions



TO92

Symbol	Description	Dimensions in mm
l1	Taped Lead Length	(2.5)
P	Component Pitch	12.7±1
P0	Perforation Pitch	12.7±0.3
P2	Component to Perforation (Length Direction)	6.35±0.4
F1	Lead Spread	2.5 ^{+0.4/-0.1}
F2	Lead Spread	2.5 ^{+0.4/-0.1}
Δh	Component Alignment	0±0.1
W	Carrier Tape Width	18 ^{+1.0/-0.5}
W0	Hold-down Tape Width	6±0.5
W1	Perforation Position	9±0.5
W2	Hold-down Tape Position	(0.5)
H0	Lead Clinch Height	16±0.5
H1	Component Height	Less than 24.7
D0	Perforation Diameter	4±0.2
t	Taped Lead Thickness	0.7±0.2
H	Component Base Height	19±0.5

Note: Thickness less than 0.38±0.05mm~0.5mm
P0 Accumulated pitch tolerance: ±1mm/20pitches.
() Bracketed figures are for consultation only