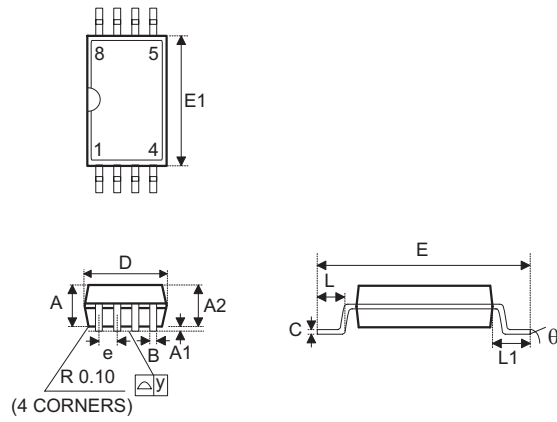


**TSSOP Outline Dimensions**

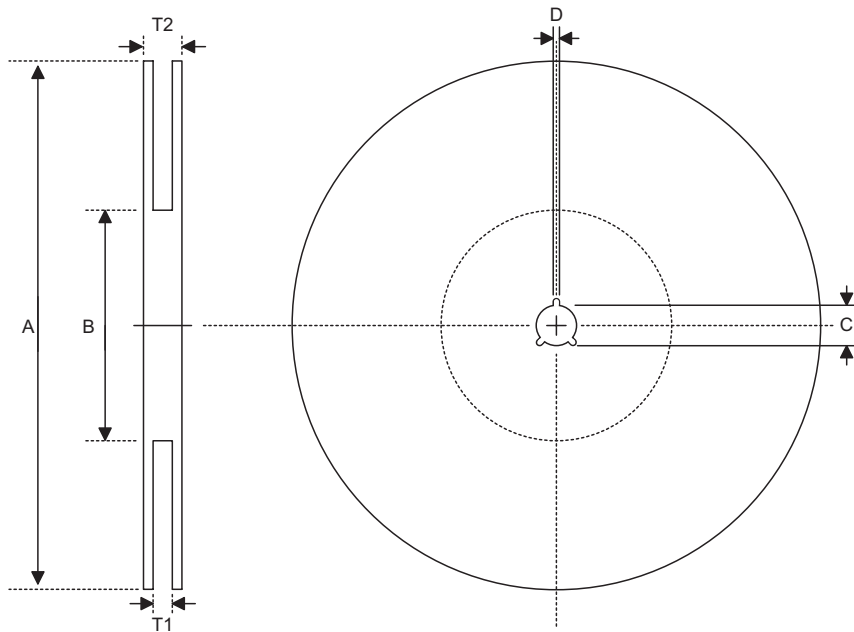
**8-pin TSSOP Outline Dimensions**



Symbol	Dimensions in mm		
	Min.	Nom.	Max.
A	1.05	—	1.20
A1	0.05	—	0.15
A2	0.80	—	1.05
B	—	0.25	—
C	0.11	—	0.15
D	2.90	—	3.10
E	6.20	—	6.60
E1	4.30	—	4.50
e	—	0.65	—
L	0.50	—	0.70
L1	0.90	—	1.10
y	—	—	0.10
θ	0°	—	8°

**Product Tape and Reel Specifications**

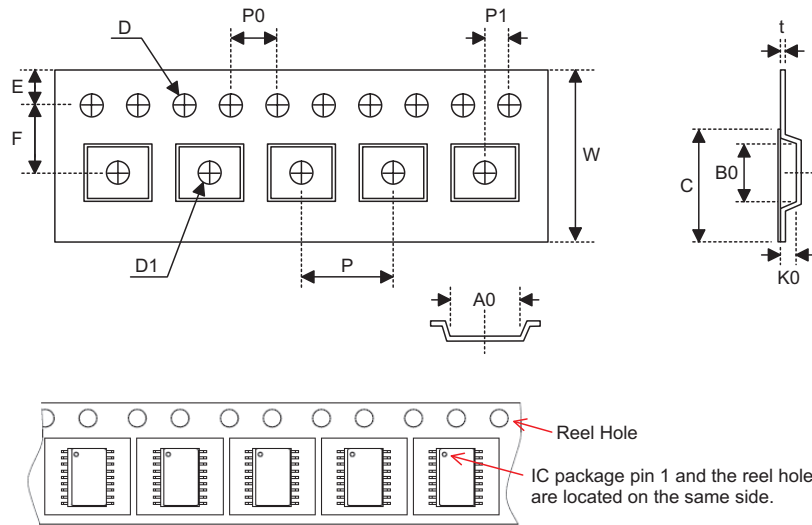
**Reel Dimensions**



**TSSOP 8L**

Symbol	Description	Dimensions in mm
A	Reel Outer Diameter	330.0±1.0
B	Reel Inner Diameter	100.0±1.5
C	Spindle Hole Diameter	13.0 <sup>+0.5/-0.2</sup>
D	Key Slit Width	2.0±0.5
T1	Space Between Flange	12.8 <sup>+0.3/-0.2</sup>
T2	Reel Thickness	18.2±0.2

Carrier Tape Dimensions



TSSOP 8L

Symbol	Description	Dimensions in mm
W	Carrier Tape Width	$12.0^{+0.3/-0.1}$
P	Cavity Pitch	$8.0 \pm 0.1$
E	Perforation Position	$1.75 \pm 0.10$
F	Cavity to Perforation (Width Direction)	$5.5 \pm 0.5$
D	Perforation Diameter	$1.5^{+0.1/-0.0}$
D1	Cavity Hole Diameter	$1.5^{+0.1/-0.0}$
P0	Perforation Pitch	$4.0 \pm 0.1$
P1	Cavity to Perforation (Length Direction)	$2.0 \pm 0.1$
A0	Cavity Length	$7.0 \pm 0.1$
B0	Cavity Width	$3.6 \pm 0.1$
K0	Cavity Depth	$1.6 \pm 0.1$
t	Carrier Tape Thickness	$0.300 \pm 0.013$
C	Cover Tape Width	$9.3 \pm 0.1$